



## FEATURED PRODUCTS



### CABLE COMB

Installation tool designed to help organize network cable bundles.

Part #: **CC-250**

Colours: Yellow/ Blue

Unit of Measure: EA



### EZ-TEMPLATE

Convenient and cost effective tool that provides a consistent cutout for single & double gang wall plates.

Part#: **TM-EZTMP01BK** (SINGLE)

Part#: **TM-EZTMP02BK** (DOUBLE)

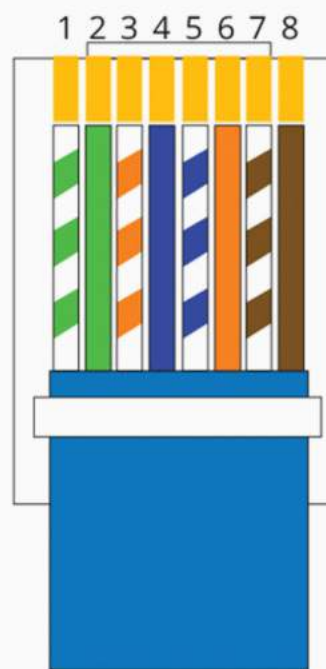
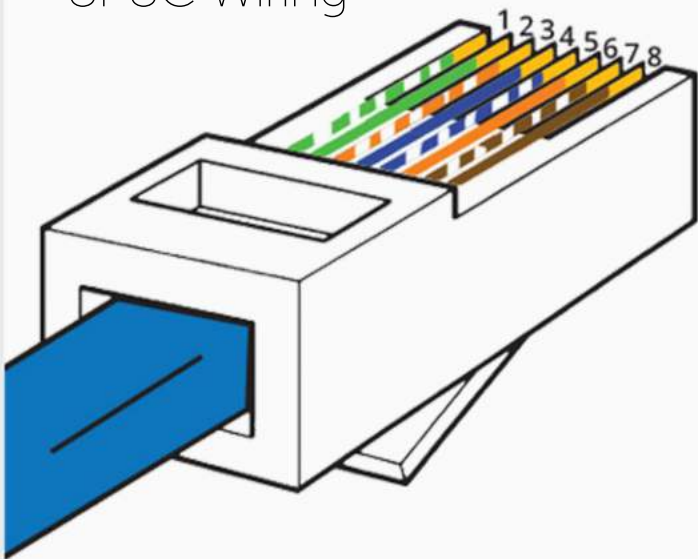
Colours: Black

Unit of Measure: EA

## EIA/TIA T568A STANDARD

### CANADA WIRING STANDARD

8P8C Wiring

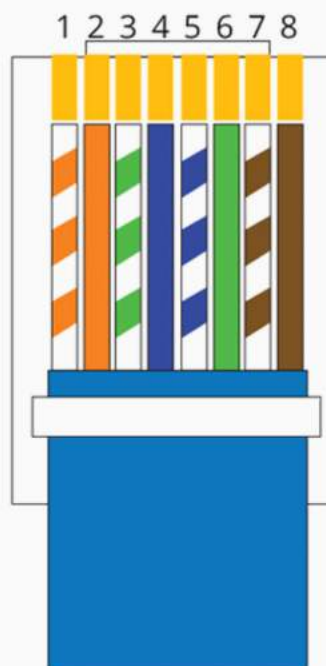
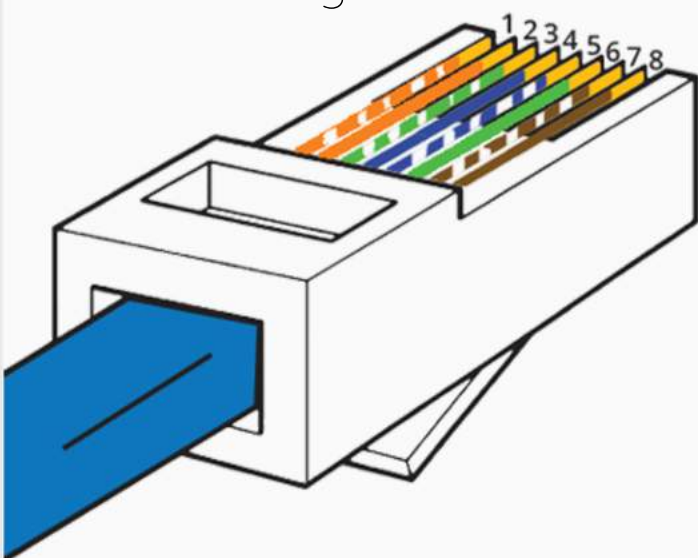


PIN	PAIR	WIRE	Color
1	3	1	white /green
2	3	2	green
3	2	1	white /orange
4	1	2	blue
5	1	1	white /blue
6	2	2	orange
7	4	1	white /brown
8	4	2	brown

## EIA/TIA T568B STANDARD

### USA WIRING STANDARD

8P8C Wiring



PIN	PAIR	WIRE	Color
1	2	1	white /orange
2	2	2	orange
3	3	1	white /green
4	1	2	blue
5	1	1	white /blue
6	3	2	green
7	4	1	white /brown
8	4	2	brown

## PRODUCT TUTORIALS



# TheTSOC MINUTE

Visit [TSOC.com](http://TSOC.com) to view our database of informative product tutorials, including "How to terminate an RJ45 Modular Plug" brought to you by TheTSOCMinute.