

# MediaHub Mini Extender

## SPECIFICATION

Flush-mount adapter plate & trim combines TeleAdapt MediaHub Mini connectivity panel with PowerHub for an all-in-one connectivity station for the hotel room. MediaHub plus PowerHub offers all the inputs your guests need to enjoy their own content from any mobile device through the in-room TV while providing conveniently located power and Ethernet or USB outlets.

The MediaHub Mini Extender comprises of three separate parts, examples shown here include:

1. Extender Trim: CKIT-MHMN-EXT1 (Black)
2. MediaHub Mini: TA-3350-A-L0R
3. PowerHub USB: TA-7535US-USN2



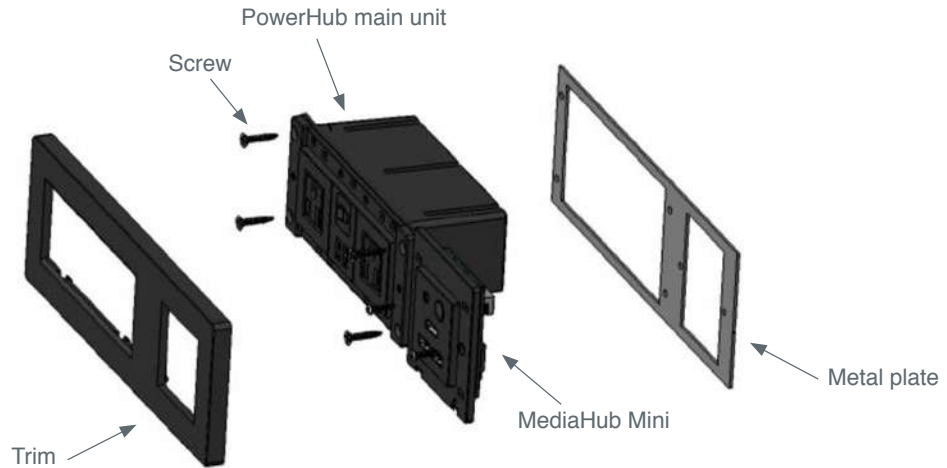
1. Extender Trim: CKIT-MHMN-EXT2 (Aluminium)
2. MediaHub Mini: TA-3350-A-L0R
3. PowerHub USB: TA-7535US-USN2



- The Extender Trim & adapter plate combine MediaHub Mini and PowerHub for a complete multimedia connectivity station for the guest-room.
- MediaHub Mini provides Audio / Video and USB Charging connections for guest devices (Laptops, Tablets, Smartphones, Game Consoles and more), including HDMI, Audio, and Bluetooth Wireless Audio.
- PowerHub presents USB charging and two easy-to-find guest-facing power outlets, available with a choice of US, UK or EU sockets.
- Designed to flush-mount into case-goods.
- Prevents guests tampering with existing TV connections and fixture wall plugs.
- Includes mounting plate and screws, front trim available in pure black or brushed nickel accents. CKIT-MHMN-EXT1 (Black), CKIT-MHMN-EXT2 (Aluminium).
- MediaHub and PowerHub panels sold separately. Parts will arrive separately and not pre assembled.

# MediaHub Mini Extender

## SPECIFICATION



### 1. MediaHub Mini Extender Trim



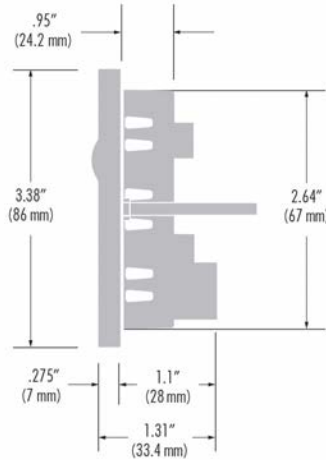
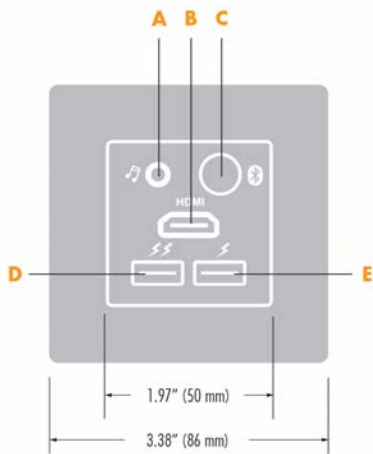
CKIT-MHMN-EXT2 (Aluminium)



CKIT-MHMN-EXT1 (Black)

### 2. MediaHub Mini

MediaHub Mini offers USB fast-charging for mobile devices. Bluetooth pairing means that your guests can listen to their music over the TV speakers without docking the phone, providing the freedom to roam and multi-task. HDMI is the universal method for connecting mobile phones, tablets, laptops, digicams, and gaming consoles to HDTV's.



#### MediaHub Mini Front Ports

- A Mini Stereo Jack
- B HDMI Audio/Video
- C Bluetooth Audio Pairing Point for Universal Wireless Music Playing
- D High-Current 2.1 amp, 5 volt USB Charging Socket
- E Standard 1 Amp, 5 volt USB Charging Socket

#### Connection Requirements

- 1 HDMI port on the TV
- 1 AC/Mains Power Outlet

#### Cables & Power Supply Included

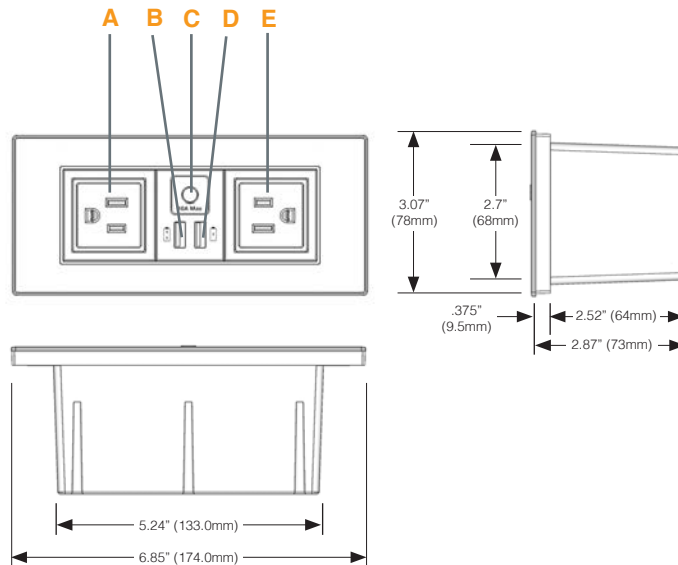
- 11.8' (3.5 m) HDMI cable
- 6 ft. (1.8 m) Power Supply.

# MediaHub Mini Extender

## SPECIFICATION

### 3. PowerHub

This compact and attractive product puts two additional power outlets, and an Internet plug-in jack or Ethernet right at your guest's fingertips. Or, add to the MediaHub™ products to the PowerHub and create the MediaHub Extender™, a guest entertainment connectivity panel with additional power and data.



#### Built for Commercial Use

PowerHub is a commercial product, designed and built using quality materials to withstand daily use by hotel guests.

#### PowerHub Front Ports

- A** 120V Tamper Resistant Outlet, 10Amp\*
- B** Left USB Port, 2.1Amp
- C** 10A Curcuit Breaker
- D** Right USB Port, 1.0Amp
- E** 120V Power Outlet, 10Amp\*

\*International Plug Configurations Available

#### Available in International Plug Configurations

The PowerHub socket voltage/frequency is dependent upon the input voltage/frequency. The PowerHub can be ordered with the following plug configurations:

- USA 110V
- UK 220-240V
- EU 220-240V
- UNIVERSAL (Without Approval)

#### Wall Cut-Out Dimensions

5.3" x 2.8" (135 x 69 mm)

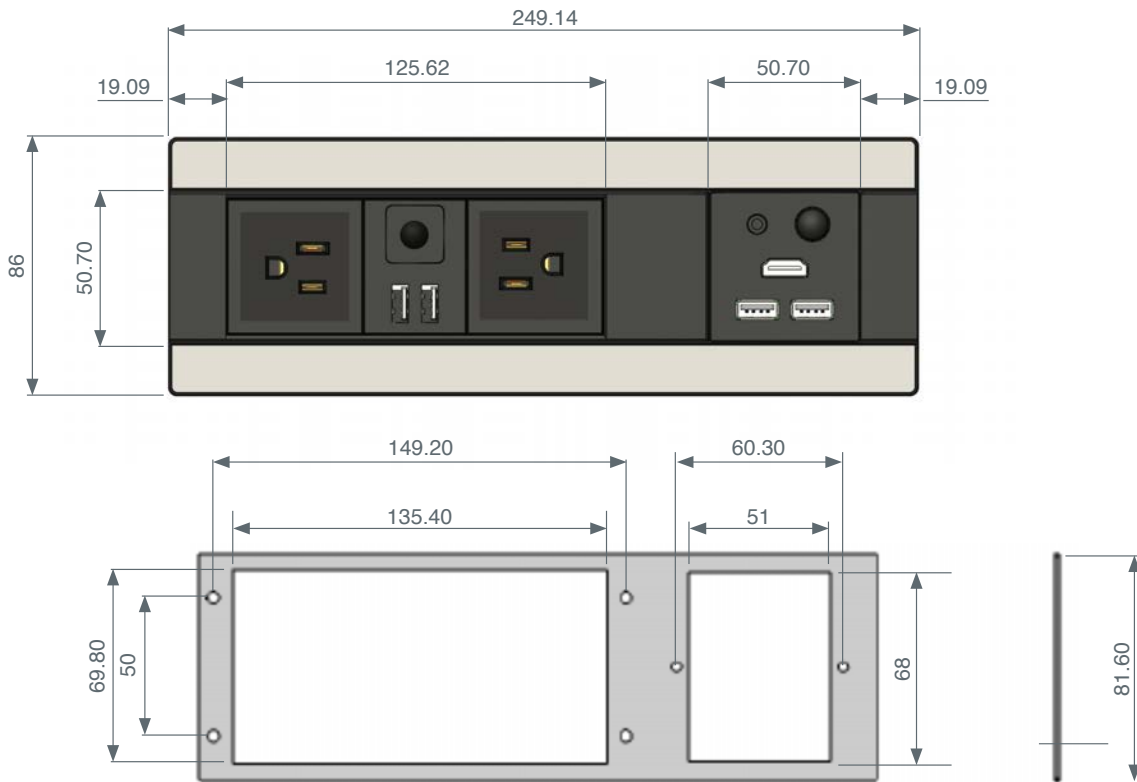
Installation cut sheet is available on request.

#### Certifications

UL and CE approved

# MediaHub Mini Extender

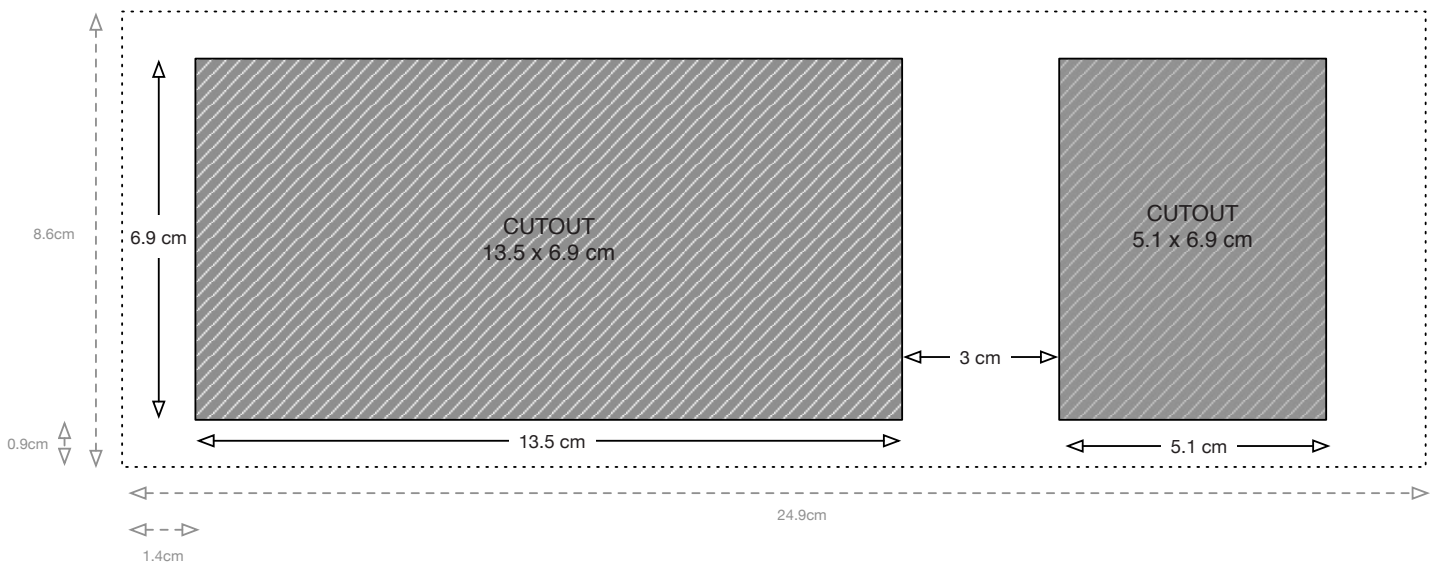
## SPECIFICATION



### Step 1.

Transfer the dimensions from the Guide Plate shown below, or use the physical Guide Plate itself to trace the cutout size onto the surface of the material to cut. The plate is NOT REVERSIBLE - make sure the PowerHub is on the LEFT and the MediaHub is on the RIGHT. The trim has notches for removal that need to face downward - so they are unseen.

Extent of trim (approx.), NOT TO SCALE



# MediaHub Mini Extender

## SPECIFICATION

Step 2.

Cut material

Step 3.

Insert PowerHub and MediaHub into the Guide Plate.

Step 4.

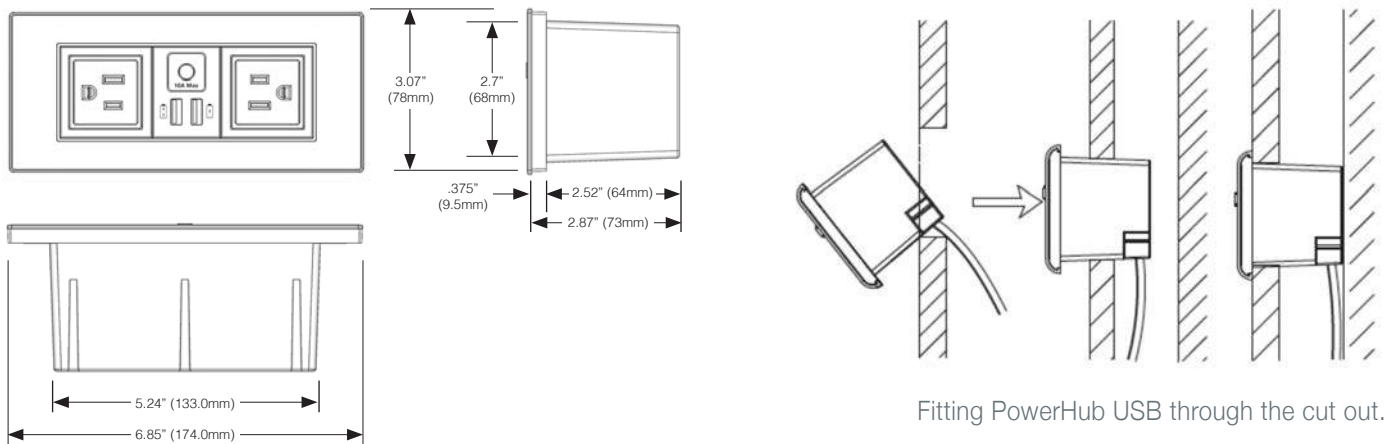
Pass the cables required for MediaHub Mini installation through the opening in the material (from rear to front) and connect to the rear of the MediaHub. The power and HDMI cables are required, RS232 and USB cables are optional (see MediaHub Mini Install Guide). Ensure cable length is adequate to reach a power outlet and to reach the HDMI port on the TV!

Step 5.

Pass the power cables for the PowerHub through the opening in the material. Ensure cable length is adequate to reach a power outlet. For TA-7500 models - an Ethernet cable will also need to be passed through the opening and connected to the back of the PowerHub. For more information on the various PowerHub models available see the PowerHub Installation Guide.

Step 6.

With the PowerHub and MediaHub installed into the Guide Plate, push then entire assembly into the holes in the material. Lean the PowerHub on the bottom of the cutout in the furniture and push it into the cutout by rotating it slightly.



Step 7.

Fasten the PowerHub and the MediaHub to the wood material - using the wood screws provided. Ensure the screws pass through the PowerHub and MediaHub and through the Guide Plate. Depending on the material, its suggested to drill pilot holes for the screws.

Step 8.

After the assembly is fully fastened, the plastic trim snaps on. If trim removal is required, insert a flat head screwdriver into the notches on the bottom of the trim and to pry it off.